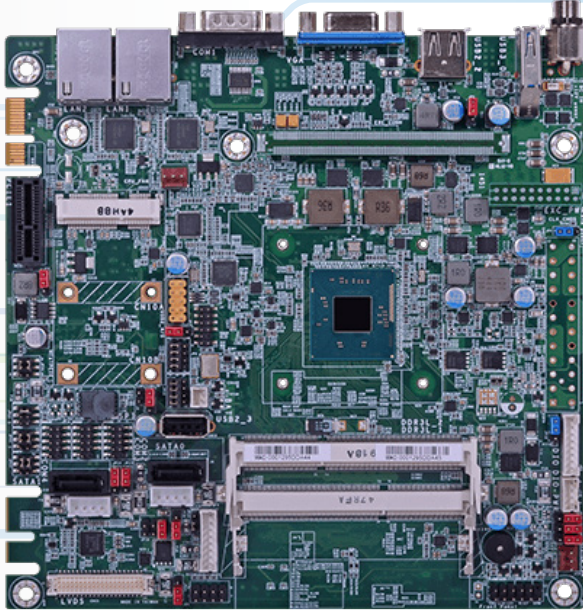
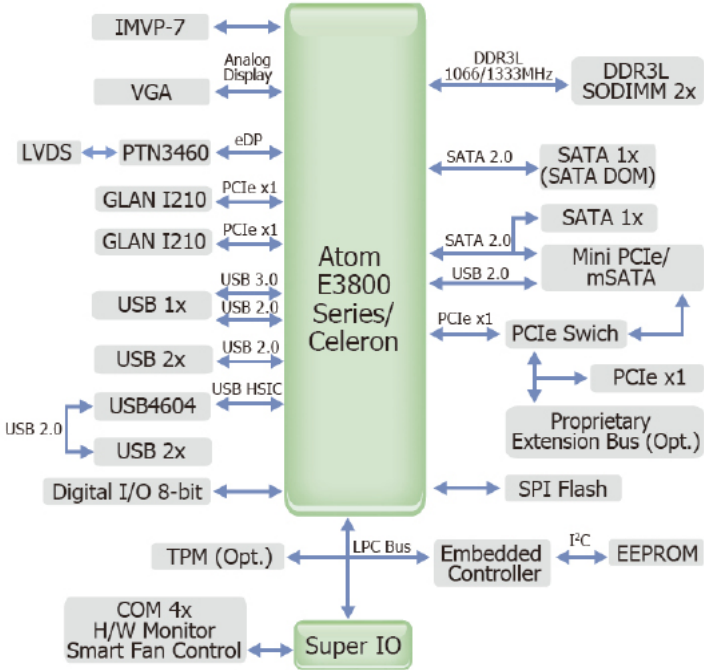


# AdiMB8100



## FEATURES

- Intel® Atom™ E3800 Mini-ITX
- 2 DDR3L SODIMM、最大8GB
- 1 VGA、1 LVDS
- 1 PCIe x1、1 Mini PCIe
- 2 Intel GbE、4 COM、1 USB 3.0、4 USB 2.0
- 2028年Q1まで 15年間のCPUライフサイクルサポート  
(Based on Intel IOTG Roadmap)



## Specifications

### Specifications

#### PROCESSOR

- Intel® Atom™/Intel® Celeron® processors
- BGA 1170 packaging technology
- 22nm process technology
- Please refer to the Ordering Information below

#### SYSTEM MEMORY

- Two 204-pin DDR3L SODIMM sockets (-E45/-E26/-J00)
  - up to 8GB system memory
  - dual channel memory interface
- Supports DDR3L 1333MHz (-E45/-J00)
- Supports DDR3L 1066MHz (-E26)
- DRAM device technologies: 1Gb, 2Gb and 4Gb DDR3L DRAM technologies are supported for x8 and x16 devices, unbuffered, non-ECC

#### EXPANSION SLOTS

- 1 PCIe x1 slot
- 1 Mini PCIe slot
  - Supports USB and PCIe signals
  - Supports mSATA
  - Supports full size Mini PCIe card
- 1 Proprietary Extension Bus for PCIe/PCI expansion

#### ONBOARD GRAPHICS FEATURES

- Intel® HD Graphics
- Display ports: 1 VGA, 1 LVDS
- VGA: resolution up to 1920x1200 @ 60Hz
- LVDS: NXP PTN3460, 24-bit, dual channel, resolution up to 1920x1200 @ 60Hz
- Supports hardware acceleration for DirectX 11, OCL 1.2, OGL 4.0, H.264, MPEG2, MVC, VC-1, WMV9 and VP8 (supported version dependent on OS)

#### ONBOARD LAN FEATURES

- 2 Intel® I210 PCI Express Gigabit Ethernet controllers
- Integrated 10/100/1000 transceiver
- Fully compliant with IEEE 802.3, IEEE 802.3u, IEEE 802.3ab

#### SERIAL ATA INTERFACE

- 2 SATA 2.0 ports with data transfer rate up to 3Gb/s
  - SATA port 0 provides adequate space for SATA DOM
  - SATA port 1 multiplexed with mSATA (Mini PCIe)
- Integrated Advanced Host Controller Interface (AHCI) controller

#### TRUSTED PLATFORM MODULE (TPM)\*

- Provides a Trusted PC for secure transactions
- Provides software license protection, enforcement and password protection

#### WATCHDOG TIMER

- Watchdog timeout programmable via software from 1 to 255 seconds

#### REAR PANEL I/O PORTS

- 1 12V DC-in jack (default) or 4-pin power connector\*
- 1 DB-9 RS232 serial port
- 1 DB-15 VGA port
- 2 RJ45 LAN ports
- 1 USB 2.0 port
- 1 USB 3.0 port

#### I/O CONNECTORS

- 1 connector for 2 external USB 2.0 ports
- 1 vertical USB 2.0/1.1 port
- 3 connectors for 3 external serial ports (2.0mm pitch)
  - 1 RS232/422/485 (RS232 and/or power)
  - 2 RS232
- 1 LVDS LCD panel connector
- 1 LCD/inverter power connector
- 1 8-bit Digital I/O connector
- 1 Digital I/O power connector
- 1 LAN LED connector
- 1 LPC connector
- 2 Serial ATA connectors
- 2 Serial ATA power connectors
- 1 front panel connector
- 1 chassis intrusion connector
- 2 fan connectors

#### BIOS

- AMI BIOS
- 64Mbit SPI BIOS

#### POWER CONSUMPTION

- AdiMB8100-E45: 16.32W with E3845 at 1.91GHz and 2x 4GB DDR3L SODIMM

#### OS SUPPORT

- Windows 7 Ultimate x86 & SP1 (32-bit)
- Windows 7 Ultimate x64 & SP1 (64-bit)
- Windows 8 Enterprise x86 (32-bit)
- Windows 8 Enterprise x64 (64-bit)
- Windows 8.1 Enterprise x86 (32-bit)
- Windows 8.1 Enterprise x64 (64-bit)
- Windows 8.1 Embedded Pro x86 (32-bit)
- Windows 8.1 Embedded Pro x64 (64-bit)

#### TEMPERATURE

- Operating: 0°C to 60°C
- Storage: -40°C to 85°C

#### HUMIDITY

- 5% to 90%

#### DIMENSIONS

- Mini-ITX form factor
- 170mm x 170mm

#### CERTIFICATION

- RoHS

\*オプションのため標準モデルには対応していません。詳細ご希望の場合は、お気軽にお問い合わせ下さい。

### Ordering Information

Model name	Processor	Memory	RS232	RS232/422/485	Power	Thermal	Temperature
AdiMB8100-E26	Intel® Atom™ E3826, Dual Core, 1M Cache, 1.46GHz, 7W	2 SODIMM	3	1	12V DC-in	Fanless	0°C to 60°C
AdiMB8100-E45	Intel® Atom™ E3845, Quad Core, 2M Cache, 1.91GHz, 10W	2 SODIMM	3	1	12V DC-in	Fanless	0°C to 60°C
AdiMB8100-J00	Intel® Celeron® J1900, Quad Core, 2M Cache, 2GHz (2.42GHz), 10W	2 SODIMM	3	1	12V DC-in	Fanless	0°C to 60°C

お問い合わせメール: [sales@advanet.jp](mailto:sales@advanet.jp)

※仕様は予告なく変更されることがあります。