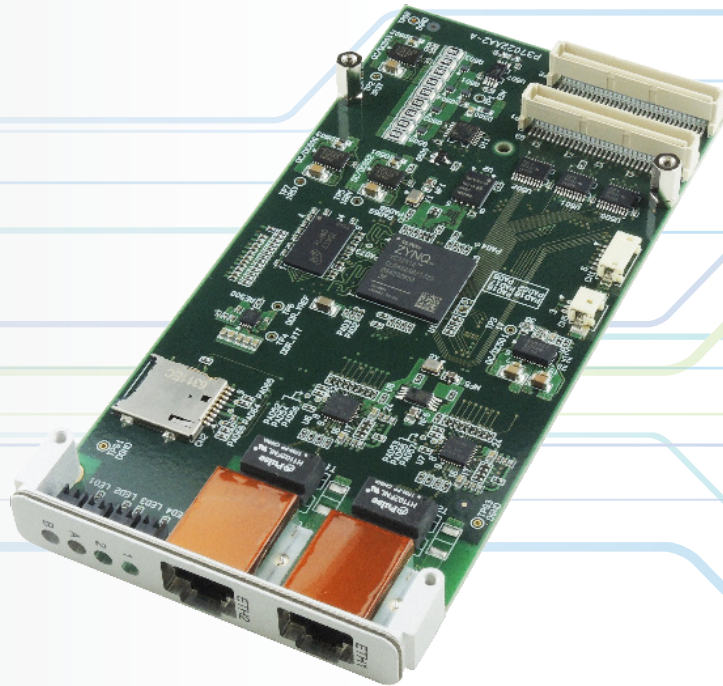


Adpmc1575



FEATURES

- **ARM® Cortex®-A9 Dual-Core**
(Xilinx® Zynq®-7010)
- **EtherCAT® Master Class A Compliant**
- **EtherCAT® Feature Pack Support**
Cable Redundancy / Hot Connect
- **Fast Ethernet 2 Ports**
- **Operating Temperature: 0°C ~ 55°C**
- **RoHS Compliant**
- **OS: VxWorks® 5.5.1**

Adpmc1575 is a PMC module which has the EtherCAT® master communication function.

This product is equipped with ARM® Cortex®-A9 processor embedded in Xilinx® Zynq®.

As EtherCAT® master protocol stack, Class A compliant EC Master from acontis technologies is used. Cable redundancy and hot connect are supported by EtherCAT® feature pack.

This board is controlled by the host CPU. The data is transferred through the shared memory which is installed in Adpmc1575.

Adpmc1575 realizes EtherCAT® master communication minimizing the impact for the host CPU.

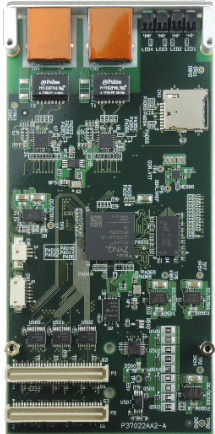


Advanet

A member of Eurotech Group

Adpmc1575

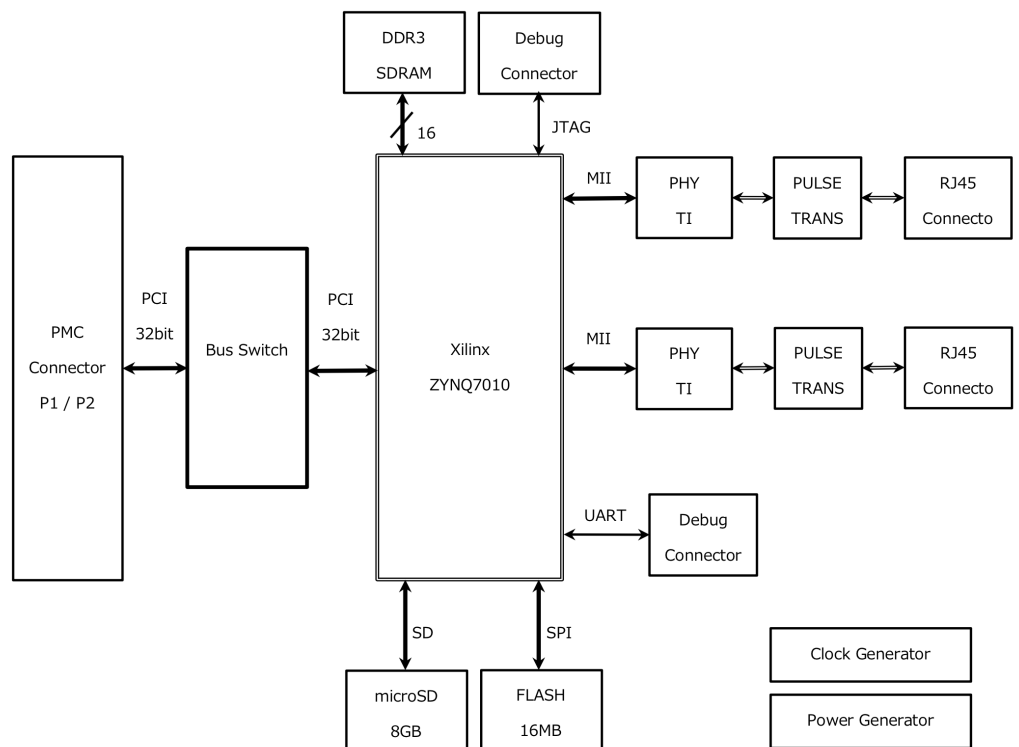
Specifications



Specification

CPU	Processor Operating Frequency	ARM® Cortex®-A9 Dual Core (Xilinx® Zynq®-7010) 666 MHz
Memory	Main Memory Boot ROM Shared Memory	DDR3 SDRAM 256 MB SPI-FLASH 16 MB 128 KB (Zynq® PL Built-in)
EtherCAT®	Classification Feature Pack Periodic Update	ClassA Compliant Cabel Redundancy / Hot Connect Configurable at 100us ~ 10ms
Front IO	EtherCAT® LED	2 ports, 100BASE-TX, RJ45 Connector (PHY: TI TLK106) *This board cannot be used as Ethernet communication port because it is dedicated to EtherCAT® EtherCAT® LINK / LED for ACT lamp x2 EtherCAT® Status Lamp 2 Colors LED x2
On-board IO	JTAG UART	1 port for Debug 1 port for Debug
PMC	Standard	PCI Std: PCI Local Bus Spec. Rev.2.2 CMC Std: IEEE 1386-2001 PMC Std: IEEE 1386.1-2001
Power	Supply Voltage Current Consumption	DC 5 V ±5% T.B.D
Mechanical Spec.	Dimensions Weight	74 mm x 149 mm 71g
Operating Env.	Operating Temp. Range Operating Hum. Range Storage Temp. Range Storage Hum. Range RoHS	0°C ~ 55°C 35% ~ 80% RH (Non-condensing) -10°C ~ 70°C Not greater than 90% RH (Non-condensing) Compliant(2011/65/EO)

Block Diagram



Contact: sales@advanet.jp

*Specifications are subject to change without notice.