

# CompactPCI Bus

## Intel® Atom™ Processor 6U CPU Board

### A6pci8029

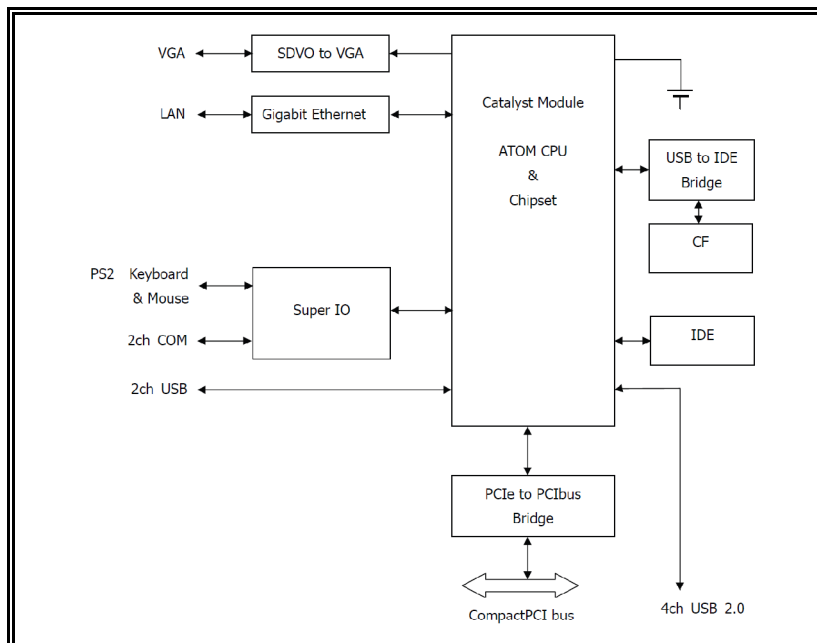
Preliminary

#### ■ Features ■

- Processor
  - Intel Atom Processor
  - System-On-Module architecture (named Catalyst)
    - Selectable from 3 grade modules
  - Low power consumption
- I/O
  - Gigabit Ethernet × 1
  - USB 2.0 Host Interface × 2
  - VGA
  - COM port × 2
  - Compact Flash × 1
  - IDE connector
- Form factor
  - 6U size single slot width
- OS
  - Windows XP Embedded, VxWorks6.x, Linux
- RoHS
  - Compliant



#### ■ Block Diagram ■



#### ■ Specifications ■

CPU	Processor	Intel Atom - selectable from 3 grades as below Atom 1.6GHz 0~60°C 1GB memory (high-end) Atom 1.1GHz 0~60°C 512MB memory (low-end) Atom 1.3GHz -40~85°C 1GB emmory (Extended temp. range)
Front panel I/O	Ethernet	10/100/1G Ethernet port ×1
	USB	USB2.0 host interface ×2
	VGA	VGA slot ×1
	COM	COM port × 2
	PS/2 Keyboard & Mouse	
Onboard I/O	Compact Flash	Compact Flash socket ×1
	IDE connector	2.5' HDD IDE connector
Rear panel I/O	USB	USB2.0 host interface ×4
PCI bus		32bit 33MHz VIO=5V
Form factor		CompactPCI 6U·4HP
Power Supply		DV5V

Note: Specifications are subject to change without prior notice.



www.advanet.co.jp email: sales@advanet.co.jp

Headquarters  
Tokyo Branch

616-4, Tanaka, Kita-ku, Okayama 700-0951 JAPAN  
KDX Kaji-cho 4F, 3-5-2 Kanda Kaji-Cho, Chiyoda-ku, Tokyo 101-0045 JAPAN



TEL +81-86-245-2861 FAX +81-86-245-2860  
TEL +81-3-5294-1731 FAX +81-3-5294-1734