

CompactPCI Bus

Intel® Atom™ Processor 3U CPU Board

A3pci8030



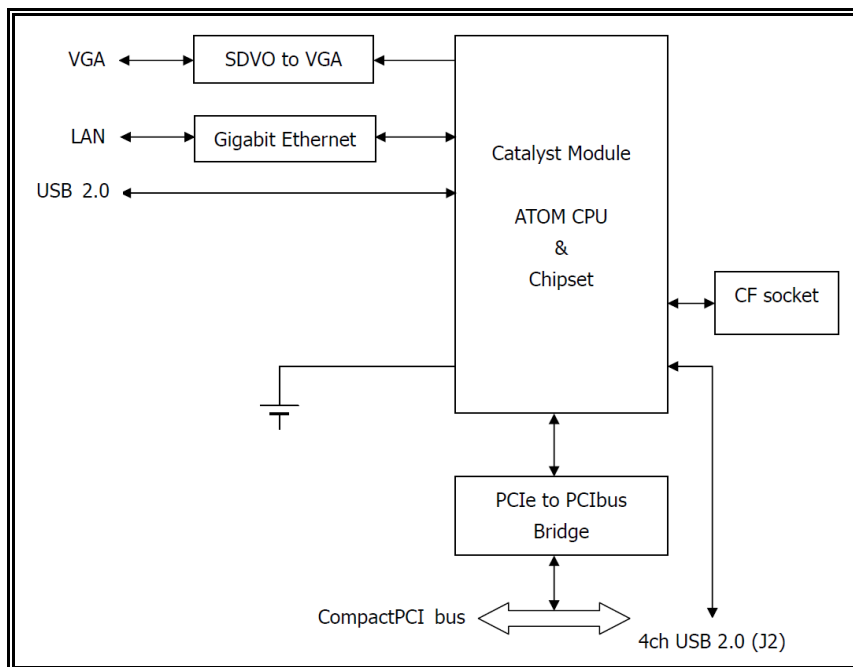
Preliminary

■ Features ■

- Processor
 - Intel Atom Processor
 - System-On-Module architecture (named Catalyst)
 - Selectable from 3 grade modules
- I/O
 - Low power consumption
 - Gigabit Ethernet × 1
 - Compact Flash × 1
 - USB 2.0 Host Interface × 2
 - VGA
- Form factor
 - 3U size single slot width
- OS
 - Windows XP Embedded, VxWorks6.x, Linux
- RoHS
 - Compliant



■ Block Diagram ■



■ Specifications ■

CPU	Processor	Intel Atom - selectable from 3 grades as below Atom 1.6GHz 0~60°C 1GB memory (high-end) Atom 1.1GHz 0~60°C 512MB memory (low-end) Atom 1.3GHz -40~85°C 1GB emmory (Extended temp. range)
Front panel I/O	Ethernet	10/100/1G Ethernet port × 1
	USB	USB2.0 host interface × 2 (4ch available for RTM)
	VGA	VGA slot × 1
Onboard I/O	Compact Flash	Compact Flash socket × 1
PCI bus		32bit 33MHz VIO=3.3V
Form factor		CompactPCI 3U·4HP
Power Supply		DV5V

Note: Specifications are subject to change without prior notice.



www.advanet.co.jp email: sales@advanet.co.jp

Headquarters 616-4, Tanaka, Kita-ku, Okayama 700-0951 JAPAN

Tokyo Branch KDX Kaji-cho 4F, 3-5-2 Kanda Kaji-Cho, Chiyoda-ku, Tokyo 101-0045 JAPAN



TEL +81-86-245-2861 FAX +81-86-245-2860

TEL +81-3-5294-1731 FAX +81-3-5294-1734