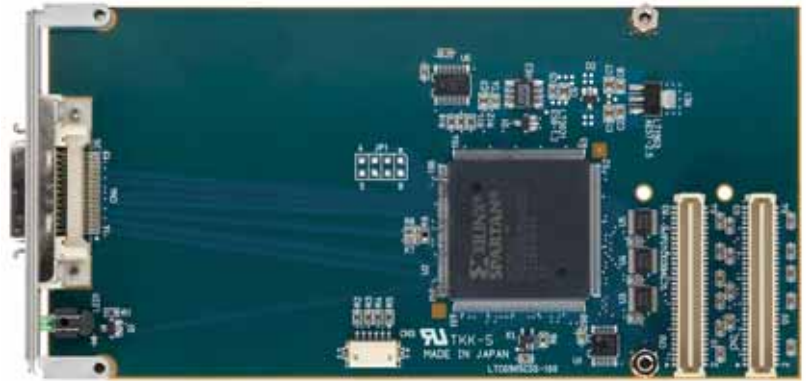


SD card interface board

Adpmc1111



socket board
* SD memory card is available as an option.



control board

Outline

The Adpmc1111 is a PMC-compatible board that is equipped with an SD card interface. This board is composed of a control board, socket board, and MDR Twin-Ax cable. Device driver support for VxWorks. The cable allows the installation of the socket board 1 meter away from the control board.



Specifications

SD card controller

- SD Specifications Part 1 Physical Layer Specification version 2.00
- Bus: SPI bus
- Buffer: 512 bits x 2
- Interrupt: 1 bit output through logical disjunction (OR) of the causes listed below
 - Receipt of a response to read end, write end, and commands
 - Full/empty data buffer, CRC check, and timeout

SD card capacity

- Capacity: Max. 2GB
- Operating frequency: Max. 50MHz

Bus Interface

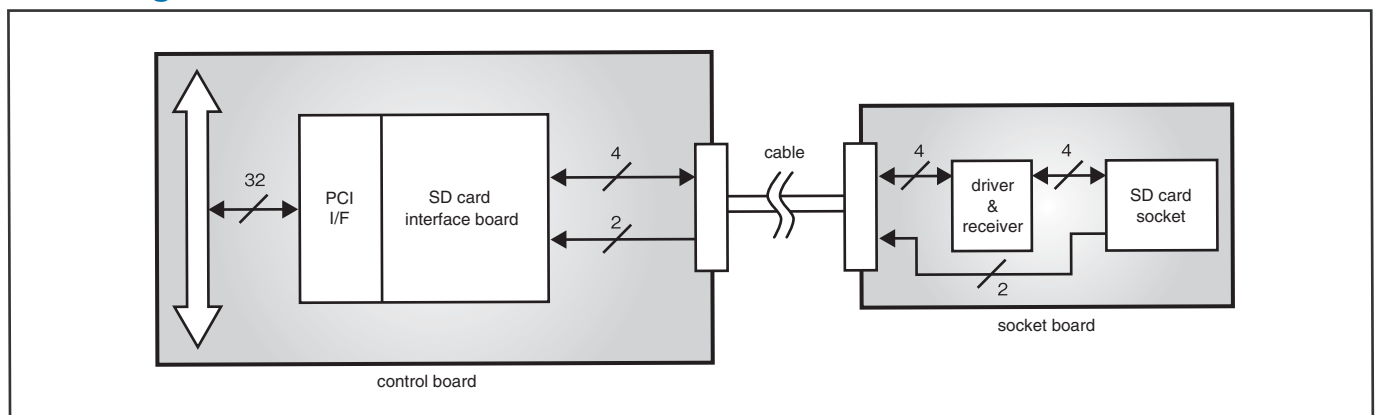
- PCI Local Bus Specification Revision 2.3
- IEEE1386.1
- Clock frequency: 33.3MHz (max.)
- Signal level: 5V/3.3V
- Data bus range: 32 bits
- Address space: 64 bytes continuously occupied in the PCI I/O space
- Interrupt: One interrupt line used

Power supply voltage: DC5V±5% (supplied from the PMC connector)
DC3.3V±5% (supplied from the PMC connector)

Consumption current : 93mA (typ.)

Board size: control board (149mm x 74mm x 1.6mm)
socket board (60mm x 60mm x 1.6mm)
cable 1m

Block diagram



Please consult us regarding your specific custom requirements

