



# Serial RapidIO Switch Unit

- 8 ports (4 × lanes) switch unit
- Baud rate switchable among 1.25/2.5/3.125Gbaud
- InfiniBand metal cable and optical cable can be used as transmission cable
- Both metal and optical cables can be used without setting of switching
- Cable can be extended up to 7m with metal cable and up to 100m with optical cable

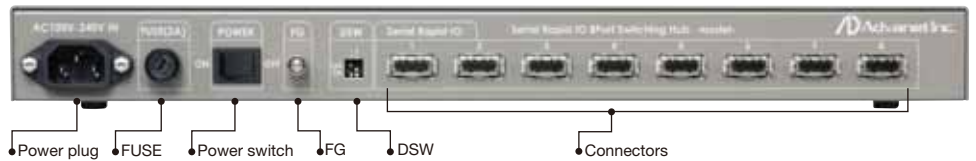
# Adsw2902

Serial RapidIO Switch Unit

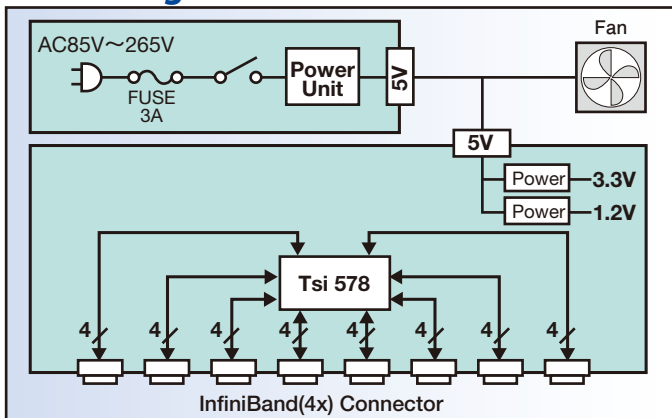


## Overview

Adsw2902 is a switch unit for Serial RapidIO equipped with 4x lanes and 8 ports. It can be used as a stand-alone unit. Baud rate is switchable among 1.25/2.5/3.125Gbaud. Metal connectors for InfiniBand (4 lanes) are adopted for each port. Both metal and optical cables (with built-in OE converter) for InfiniBand can be used as a transmission cable without setting of switching.



## Block Diagram



## Specifications

<b>SerialRapidIO HUB</b>	
Number of port	8 ports
Number of lane	4x lanes
Switch device	Tsi578
Baud rate	1.25 / 2.5 / 3.125Gbaud (1 / 2 / 2.5Gbps)
Interface	Connector for InfiniBand (4x)
Compatible cable	InfiniBand -capable cable Metal cable - max. 7m Optical cable - max. 100m
<b>Power Supply</b>	
Power supply voltage	AC85V~265V
Consumption current	21.6W (max)
<b>External appearance</b>	
	19inch rack (EIA standard), 1U size

**Please consult us regarding your specific custom requirements**

Note: The following specifications and product appearance are subject to change for enhancement without notice.