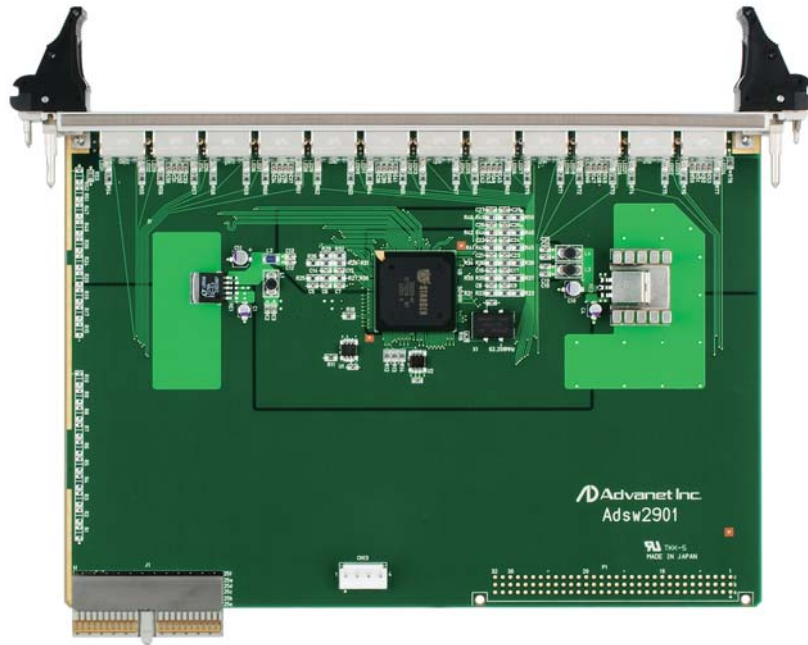


# Adsw2901

## StarFabric Switch Board



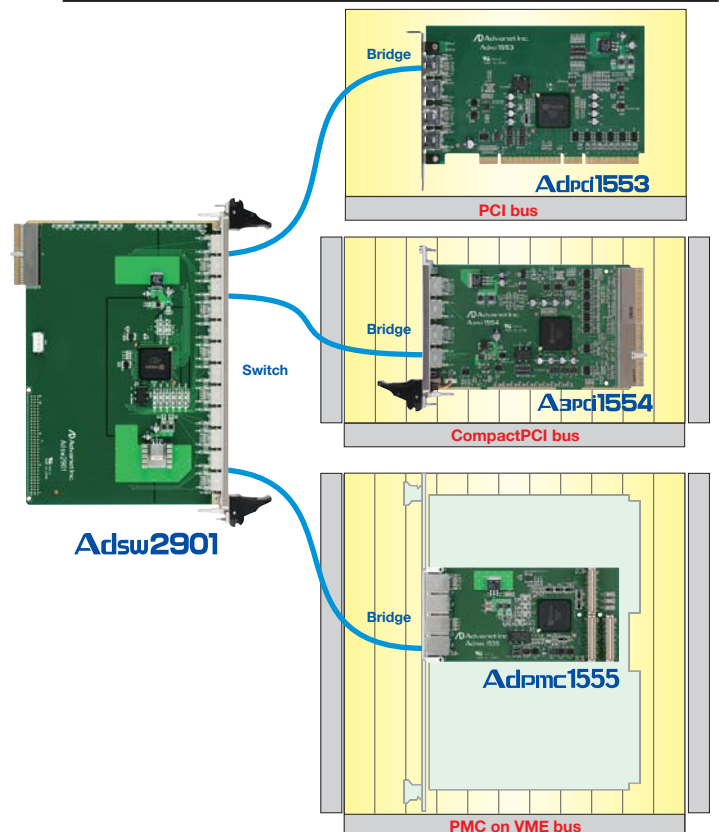
### Features

- StarFabric bridge board for bus expansion
- Supports both root and leaf modes
- Can be used freely to connect same-type buses (e.g. PCI bus to PCI bus or CompactPCI bus to CompactPCI bus) or different-type buses (e.g. PCI bus to CompactPCI bus)
- Bridges using the Adpci1554 board function in the same way as a normal PCI bridge, thus allowing a PCI hierarchy configuration
- Configuration, BIOS, OS, application and other software is fully compatible with the PCI bridge, so no modification is required

### Specifications

- StarFabric Interface**
- Standard: PICMG 2.17 StarFabric Specification compliant
  - IEEE 1596.3 and TIA/EIA-644 Low-Voltage Differential Signaling(LVDS)Standards compliant
  - Data transfer method: Full duplex method
  - Transmission speed: 2.5Gbps (four 622Mbps LVDS pairs)
    - \* For both sending and receiving
  - Connectors: RJ45 8-pin modular (two for sending and receiving and two for the two ports)
  - Category 5 compliant cable
- 
- No. of ports 6 ports
  - Connector 12 RJ45 connectors
  - Board size 6U CompactPCI/VME size
  - Power requirements DC5V±5%

### Connection Examples



HUMAN ELECTRONICS

**Advanet Inc.**

www.advantec.co.jp

Headquarters 616-4, Tanaka, Okayama 700-0951 JAPAN  
 TEL +81-86-245-2861 FAX +81-86-245-2860  
 Tokyo Branch 3F, Hayakawa No.3 Building, 2-2Kanda-Tacho, Chiyoda-ku, Tokyo 101-0046 JAPAN  
 TEL +81-3-5294-1731 FAX +81-3-5294-1734

Note: The following specifications and product appearance are subject to change for enhancement without notice.



**ISO9001**  
 Certification: No.4016-1995-AQ-K0B-Rv4

**ISO14001**  
 Certification: No. EMSC-1426