

# Adpmc110

## SRAM Memory Board



## SRAM Memory Board

### Overview

- PMC (PCI mezzanine card) form factor-compatible SRAM memory card
- Incorporating 16MB of memory capacity
- Capable of lithium primary battery-powered backup of data in memory. Approx. 4-year data-hold is assured with no power supplied
- ECC (Error Check and Correct) function-capable that enables single-bit error correction and double-bit error detection in 64-bit data



### Specifications

#### Memory type: SRAM

**Memory capacity:** 16MB

**Data range:** 72 bits

(of which 8 bits are assigned to error checking in 64-bit data)

#### Error detection and correction:

Error detection and correction of any given single-bits in 64-bit data enabled

Error detection of double-bits in 64-bit data enabled

Interrupt request permitted upon error detection

Error address reading and error bit positioning enabled

**Battery life:** 4 years (when stored at 25°C with the power off)

Battery under voltage detection alarm included

**Access:** 1-, 2-, 4-, and 8-byte access permitted

#### Bus Interface:

**Bus rating:** PCI Local Bus Specification Revision 2.2  
IEEE 1386.1

**Signal level:** 5V/3.3V

**Address range:** 32 bits

**Data range:** 64 bits

**Clock frequency:** 33.33MHz (max.)

**Space occupied:** 16M-byte memory space

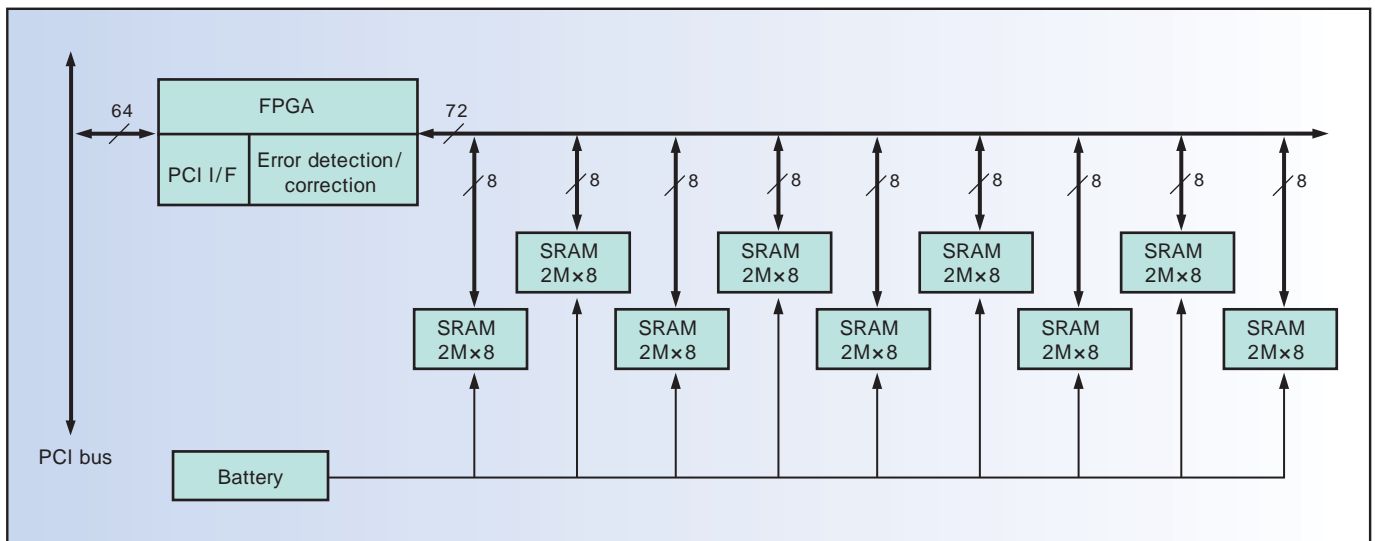
**Interrupt:** One interrupt line used

**Power supply voltage:** DC3.3V±5% (supplied from the PMC connector)

**Consumption current :** 140mA (typ.)

**Board size:** PMC single-sized memory board with single slot

### Block diagram



**Please consult us regarding your specific custom requirements**

