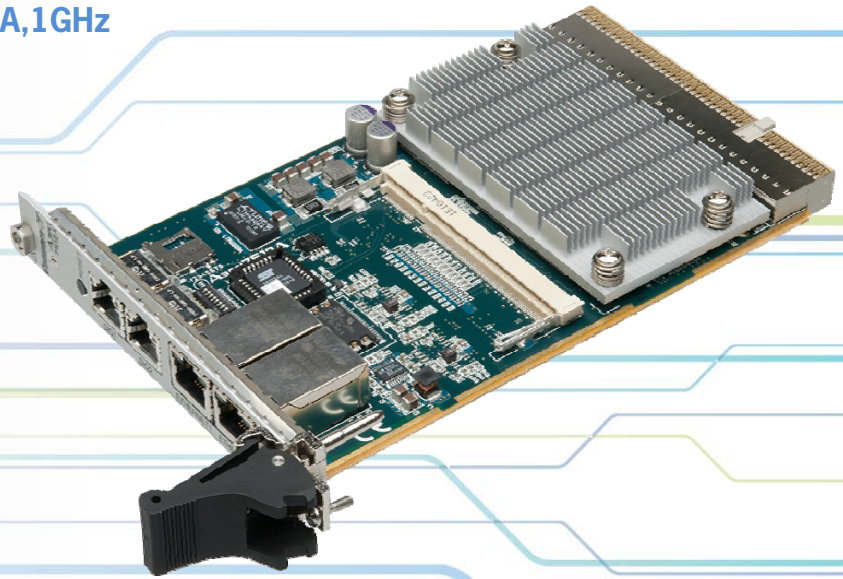


A3pci7512A

- FreescalePowerPC G4 MPC7447A,1GHz
- Up to 1GB DDR2-SDRAM
- One microSD card slot
- Single-slot, 3U
- RoHS



FEATURES

High Performance, with AltiVecSupport –The A3pci7512A is based on a single core, e600CPU with a 1GHz clock speed and supports four AltiVec units and the capability of issuing four instructions per clock cycle.

Large Memory Footprint – with up to 1GB of DDR2 memory on a SO-DIMM module, the A3pci7512A offers plenty of versatility and space, even for the most demanding applications.

IDT Tsi108 host bridge–With very low latency and power consumption, the TSI108 bridge delivers a proven and robust interface to the CompactPCI bus.

Battery backup and microSD – With 32kB of SRAM with battery backup and one microSD slot, the A3pci7512A offers safe and versatile on-board data storage.

32 and 64 bit Bus Compatibility – The A3pci7512A supports 32 and 64 bit data width at 33 and 66MHz, so it is possible to integrate it in a large number of projects.

- Real time applications
- Industrial automation and control
- Signal processing
- Networking

The A3pci7512A is a single-slot 3U processor board with a Freescale MPC7447A (PowerPC G4) processor. With AltiVec support and a 1GHz clock, the e600 core is capable of processing up to four instructions per clock cycle.

With a low power, convection cooled design, the A3pci7512A packs great computational and signal processing capabilities in a compact, reliable 3U format.

The board supports up to 1GB DDR2 SDRAM in a convenient SO-DIMM socket and provides two Gigabit Ethernet interfaces and two RS232C serial ports.

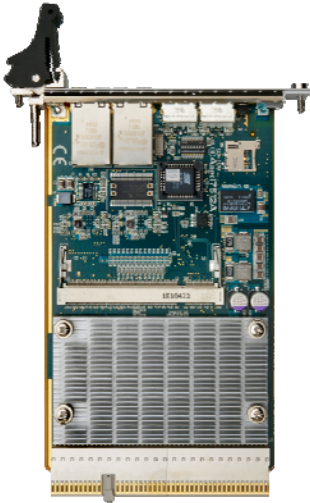
The A3pci7512A provides on-board storage capabilities, supporting a microSD slot and 32KB of SRAM with battery backup.

With support for VxWorks, the A3pci7512A is the ideal building block for real time applications, industrial automation and control, signal processing and networking.

A3pci7512A

Freescale PowerPC G4 Processor CompactPCI 3U CPU Board

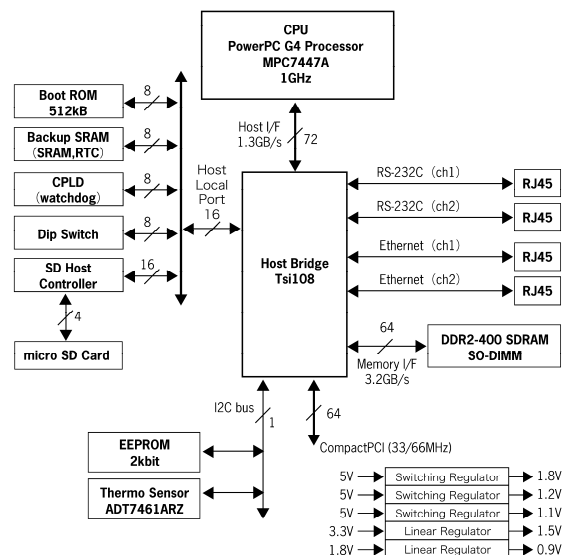
Specifications



System Architecture

Processor	Freescale MPC7447A Core operation frequency :1GHz L1 cache :data 32KB,instruction 32KB L2 cache :data / instruction 512kB
Host bridge	IDT Tsi108
Main Memory	On-board DDR2-SDRAM SO-DIMM socket (Up to 1GB) (module is optional)
Boot ROM	512kB FLASH memory
Backup SRAM	32kB SRAM Battery for data backup
Serial EEPROM	I2C-EEPROM 2kbit
Front I/O	Serial port : 2X TIA/EIA-232E specification, asynchronous, 8 pin modular connector with optical built-in indicators Ethernet : 2X 10/100/1000Base-T specification compliant, 8 pin modular connector with optical built-in indicators
On board I/O, and Peripheral	microSD : 1X microSD card slot(3.3V). Real-time clock : with battery backup
External bus Interface	Standard : PICMG 2.0 R3.0 CompactPCI specification PCI Local Bus specification Revision 3.0 A system slot is for exclusive use Signaling level : 3.3V/5V Data width : 32bit or 64bit / 33MHz or 66MHz
Power	Supply voltage:DC5.0V±5%, DC3.3V±5% Consumption current: DC5.0V 3Amax, DC3.3V 1Amax
Mechanical	Form factor : 3Usize,single slot width Weight:250g (typ.)
Others	Support OS: VxWorks RoHS: Compliant

Block Diagram



Note: The information in this document is subject to change without notice and should not be construed as a commitment by EUROTECH. While reasonable precautions have been taken, EUROTECH assumes no responsibility for any error that may appear in this document. All trademarks or registered trademarks are the properties of their respective companies.